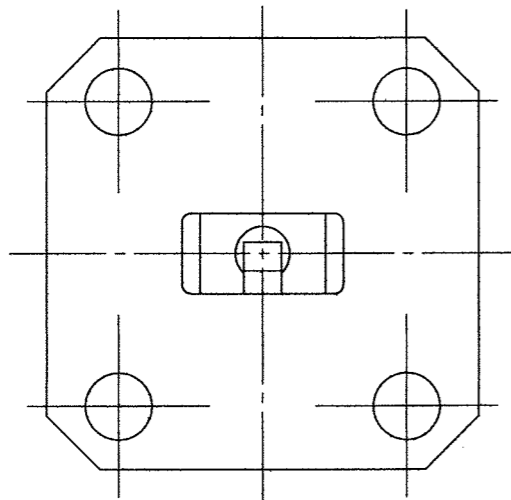
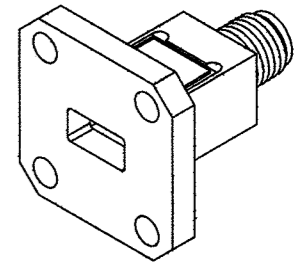
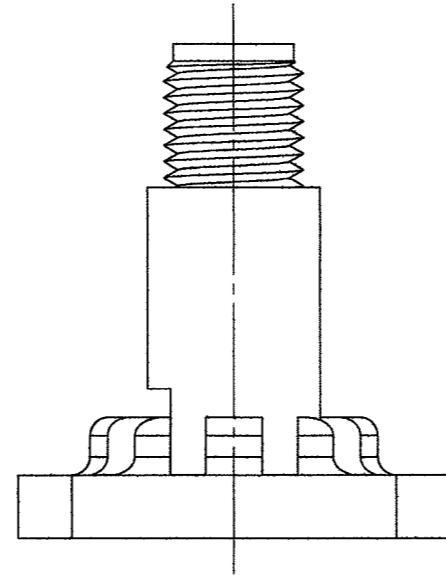
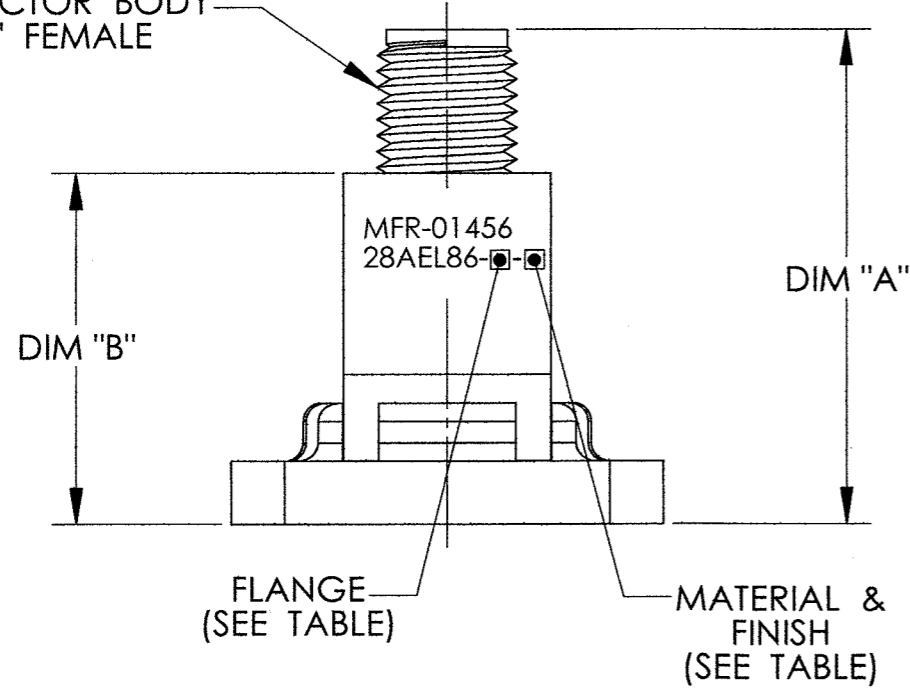


THESE DRAWINGS AND SPECIFICATIONS ARE THE PROPERTY OF MDL INC. AND SHALL NOT BE REPRODUCED OR COPIED OR USED IN WHOLE OR IN PART AS THE BASIS FOR THE MANUFACTURE OR SALE OF ITEMS WITHOUT WRITTEN PERMISSION.

INTERPRET DRAWING IN ACCORDANCE WITH ANSI Y14.5M-1982

CONNECTOR BODY  
"2.9mm" FEMALE



TECHNICAL SPECIFICATIONS	
FREQUENCY:	26.5 - 40.0 GHz
VSWR:	1.35

MATERIAL AND FINISH		
CODE	MATERIAL	FINISH
C	ALUMINUM	CHROMATED
D	BRASS	SILVER PLATED
E	ALUM ALLOY	CHROMATED AND PAINTED BLUE
F	BRASS	SILVER PLATED PER QQ-S-365 TYPE II AND PAINTED BLUE

PART NO.	FLANGE CONFIGURATION	DIM "A"	DIM "B"	APPROX. UNIT WEIGHT (GRAMS)
28AEL86-1	WR-28 COVER	1.00 MAX	(.61)	ALUM = 5 BRASS = 14
28AEL86-2	WR-28 CHOKE	1.00 MAX	(.61)	ALUM = 5 BRASS = 13

REQ'D	REQ'D	REQ'D	REQ'D	ITEM OR SYM	DWG SIZE	PART NUMBER	DESCRIPTION	MATERIAL	MATL SPEC

LIST OF MATERIAL

UNLESS OTHERWISE SPECIFIED

DIMENSIONS ARE IN INCHES  
TOLERANCES ARE

.XX ± .02 .XXXX ± .0005  
.XXX ± .005 ANGULAR ± 30'

FINISH 63/

COMMERCIAL PUBLISHED TOLERANCES SHALL APPLY TO TUBING, BAR, PLATE, ETC. ALL THREADS TO BE CLASS 2A (EXTERNAL), OR 2B (INTERNAL), PLATED PARTS MUST FIT GAGES AND MEET SPECIFIED TOLERANCES AFTER PLATING.

DRAWN BY

DATE

CHECKED BY

ELECTRICAL ENGR.

MECHANICAL ENGR.

**SIGNATURES ON FILE**

CAUTION:

UNLESS THIS DRAWING BEARS THE SIGNATURE OF TWO AUTHORIZED ENGINEERING REPRESENTATIVES IN THE "APPROVED" BLOCKS IT IS PRELIMINARY AND UNDER NO CIRCUMSTANCES IS TO BE USED FOR MANUFACTURING PURPOSES.

**MDL INC**

MICROWAVE DEVELOPMENT LABORATORIES  
NEEDHAM, MASSACHUSETTS

END LAUNCH  
OUTLINE DWG. WR-28  
28AEL86

DWG SIZE	CODE IDENT. NO.	REV.
B	01456	10-45570

SCALE 3/1 WEIGHT SHEET 1 OF 1

CAD FILE: 100738-1

GROUP OR PART	NEXT ASSY	USED ON	NEXT ASSY	FINAL ASSY	QUANTITY REQ'D

DO NOT SCALE DRAWING