

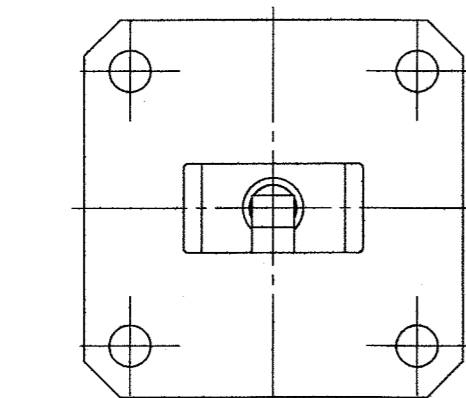
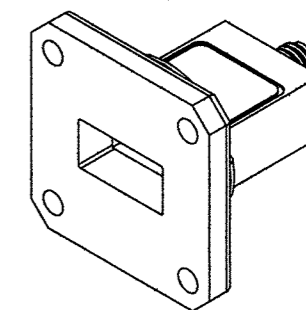
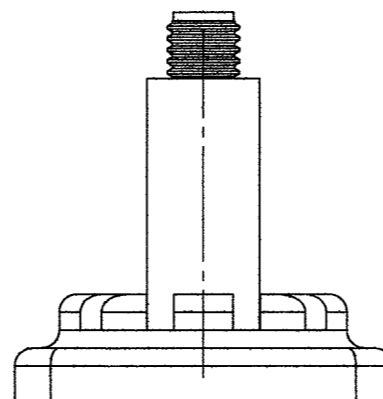
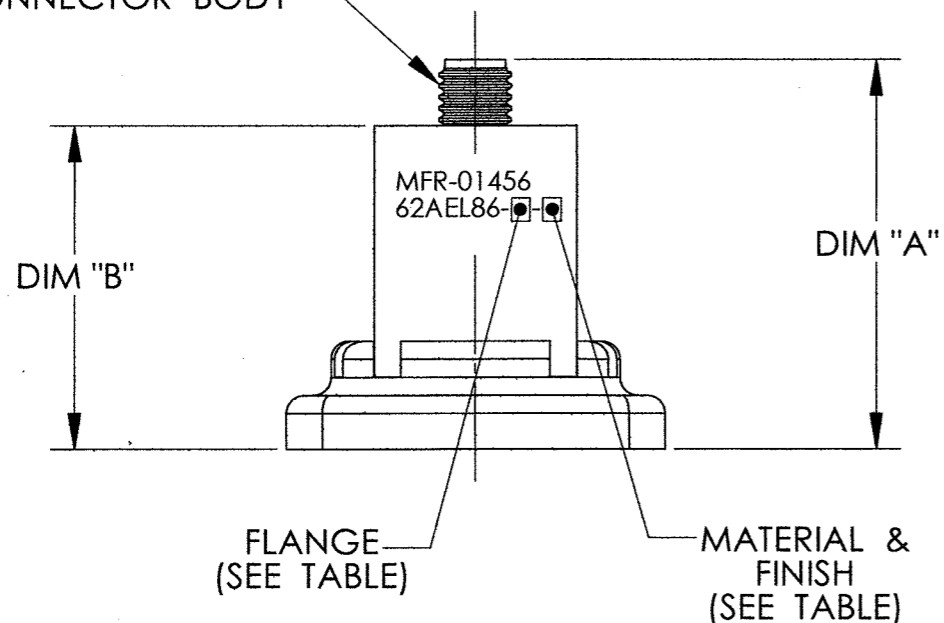
THESE DRAWINGS AND SPECIFICATIONS ARE THE PROPERTY OF MDL INC. AND SHALL NOT BE REPRODUCED OR COPIED OR USED IN WHOLE OR IN PART AS THE BASIS FOR THE MANUFACTURE OR SALE OF ITEMS WITHOUT WRITTEN PERMISSION.

INTERPRET DRAWING IN ACCORDANCE WITH ANSI Y14.5M-1982

REVISIONS

LTR	DESCRIPTION	DATE	APPROVAL
-----	-------------	------	----------

SMA CONNECTOR BODY



TECHNICAL SPECIFICATIONS	
FREQUENCY:	12.4 - 18.0 GHz
VSWR:	1.25

MATERIAL AND FINISH		
CODE	MATERIAL	FINISH
C	ALUMINUM	CHROMATED
D	BRASS	SILVER PLATED
E	ALUM ALLOY	CHROMATED AND PAINTED BLUE
F	BRASS	SILVER PLATED PER QQ-S-365 TYPE II AND PAINTED BLUE

PART NO.	FLANGE CONFIGURATION	DIM "A"	DIM "B"	APPROX. UNIT WEIGHT (GRAMS)
62AEL86-1	WR-62 COVER	1.50 MAX	(1.125)	ALUM = 22 BRASS = 65
62AEL86-2	WR-62 CHOKE	1.50 MAX	(1.125)	ALUM = 18 BRASS = 54

REQ'D	REQ'D	REQ'D	REQ'D	ITEM OR SYM	DWG SIZE	PART NUMBER	DESCRIPTION	MATERIAL	MAT'L SPEC
							1.50 MAX		

LIST OF MATERIAL

GROUP OR PART	NEXT ASSY	USED ON	NEXT ASSY	FINAL ASSY
C-10-0795-1				

UNLESS OTHERWISE SPECIFIED
 DIMENSIONS ARE IN INCHES
 TOLERANCES ARE
 .XX ± .02 .XXX ± .0005
 .XXX ± .005 ANGULAR ± 30'
 FINISH 63/

COMMERCIAL PUBLISHED TOLERANCES SHALL APPLY TO TUBING, BAR, PLATE, ETC. ALL THREADS TO BE CLASS 2A (EXTERNAL), OR 2B (INTERNAL), PLATED PARTS MUST FIT GAGES AND MEET SPECIFIED TOLERANCES AFTER PLATING.

DRAWN BY _____ DATE _____
 CHECKED BY _____
 ELECTRICAL ENGR. _____
 MECHANICAL ENGR. _____

SIGNATURES ON FILE

CAUTION:
 UNLESS THIS DRAWING BEARS THE SIGNATURE OF TWO AUTHORIZED ENGINEERING REPRESENTATIVES IN THE "APPROVED" BLOCKS IT IS PRELIMINARY AND UNDER NO CIRCUMSTANCES IS TO BE USED FOR MANUFACTURING PURPOSES.

MDL INC MICROWAVE DEVELOPMENT LABORATORIES
 NEEDHAM, MASSACHUSETTS

END LAUNCH
 OUTLINE DWG. WR-62
 62AEL86

DWG SIZE	CODE IDENT. NO.	REV.
B	01456	
	10-45575	

CAD FILE: 100795-1

DO NOT SCALE DRAWING

SCALE 1.5/1 WEIGHT SHEET 1 OF 1