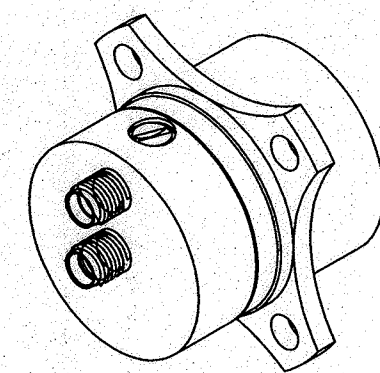
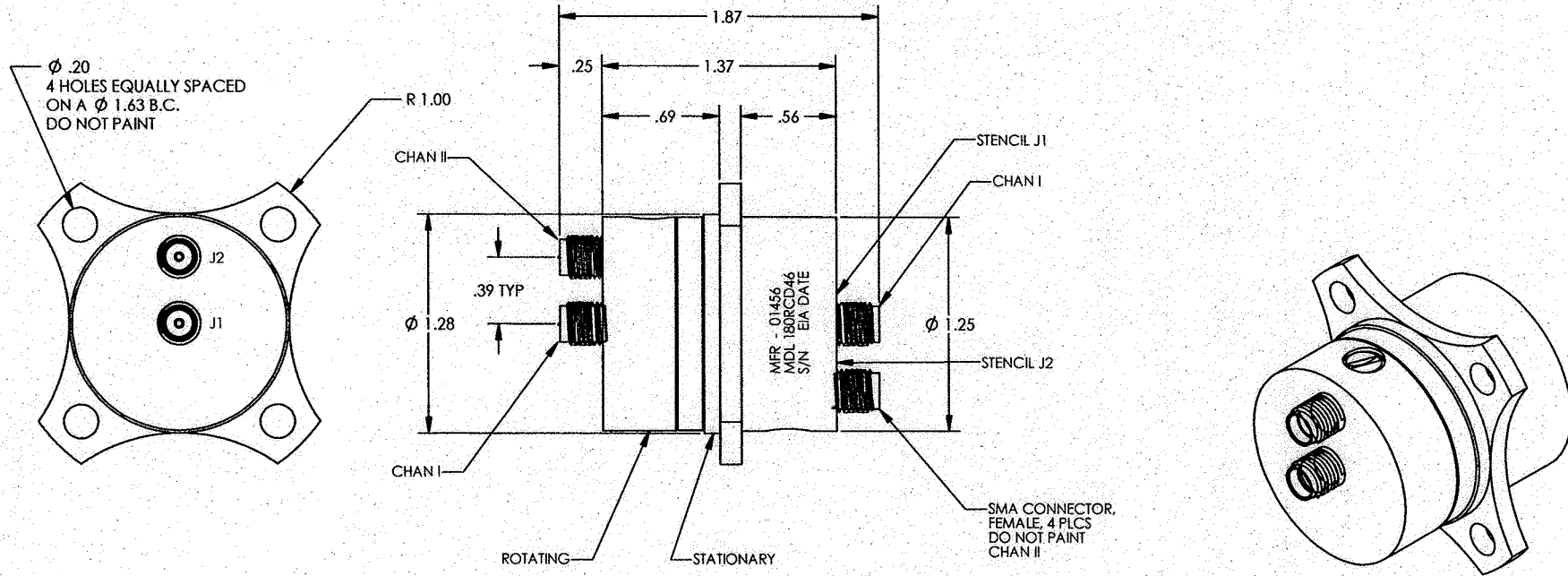


THIS DRAWING AND SPECIFICATIONS ARE THE PROPERTY OF MDL INC. AND SHALL NOT BE REPRODUCED OR COPIED OR USED IN WHOLE OR IN PART AS THE BASIS FOR THE MANUFACTURE OR SALE OF ITEMS WITHOUT WRITTEN PERMISSION.

INTERPRET DRAWING IN ACCORDANCE WITH ANSI Y14.5M-1982

REVISIONS				
ZONE	LTR	DESCRIPTION	DATE	APPROVED
	A	REVISED PER ECN # 5276	3-28-02	FWC
	B	REVISED PER ECN # 16766	3-4-08	FWC



SPECIFICATIONS:

1. ELECTRICAL		
FREQUENCY	DC-18 GHz	DC-40
VSWR (MAX)	1.35 DC-10	1.25 DC-1.5
	1.50 10-18	1.50 1.5-4.0
WOW (MAX)	1.02 DC-10	1.05 DC-1.5
	1.02 10-18	1.2 1.5-4.0
INS LOSS (MAX)	0.3 dB DC-10	0.15 dB DC-1.5
	0.5 dB 10-18	0.3 dB 1.5-4.0
PEAK POWER	EQUAL TO CONNECTOR RATING	

2. MECHANICAL		
MATERIAL	ALUMINUM	
PRESSURE	NONE	
STARTING TORQUE	8 OZ-IN MAX	
ROTATIONAL SPEED	100 RPM	
WEIGHT	3 OZ (APPROX)	
FINISH	IRIDITE ALL OVER PER MIL-C-5541. PAINT ALL EXTERNAL SURFACES EXCEPT ALL HOLES AND WHERE NOTED WITH BLUE PAINT PER TT-E-529 COLOR #25109 OF FED-STD-595 AS SHOWN, PER MIL-STD-130	

STENCIL

CAD FILE: 2076802				
GROUP OR PART	NEXT ASSY	USED ON	NEXT ASSY	FRINAL ASSY
	APPLICATION		QTY REQ'D	

REQ'D	REQ'D	REQ'D	REQ'D	ITEM OR SYM	DWG SIZE	PART NUMBER	DESCRIPTION	MATERIAL	MAT'L SPEC.
						LIST OF MATERIAL			
						MICROWAVE DEVELOPMENT LABORATORIES			
						NEEDHAM, MASSACHUSETTS			
						MDL INC			
						OUTLINE MODEL 180RCD46			
						2 CHAN. COAX "SMA"			
						INLINE ROTARY JOINT			
						DWG SIZE	CODE IDENT. NO.		REV.
						C	01456	20-76802	B
						SCALE 2 : 1		WEIGHT	SHEET 1 OF 1
						DO NOT SCALE DRAWING			
<p>CAUTION: UNLESS THIS DRAWING BEARS THE SIGNATURE OF TWO AUTHORIZED ENGINEERING REPRESENTATIVES IN THE "APPROVED" BLOCKS IT IS PRELIMINARY AND UNDER NO CIRCUMSTANCES IS TO BE USED FOR MANUFACTURING PURPOSES.</p> <p>UNLESS OTHERWISE SPECIFIED DIMENSIONS ARE IN INCHES TOLERANCES ARE: XX ± .02 XXX ± .0005 XXX ± .005 ANGULAR = ±30' FINISH 63</p> <p>COMMERCIAL PUBLISHED TOLERANCES SHALL APPLY TO TUBING, BAR, PLATE, ETC. ALL THREADS TO BE CLASS 2A (EXTERNAL), OR 2B (INTERNAL). PLATED PARTS MUST FIT GAGES AND MEET SPECIFIED TOLERANCES AFTER PLATING.</p>									