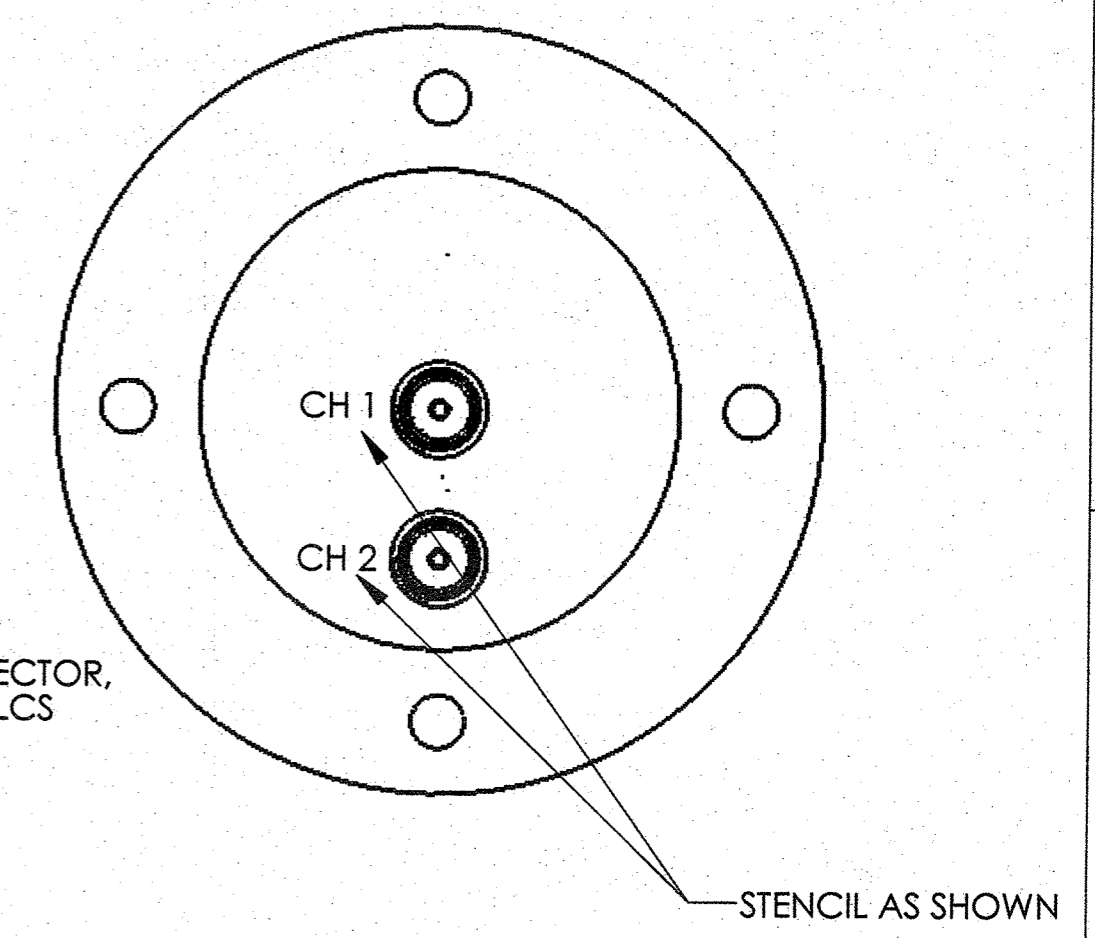
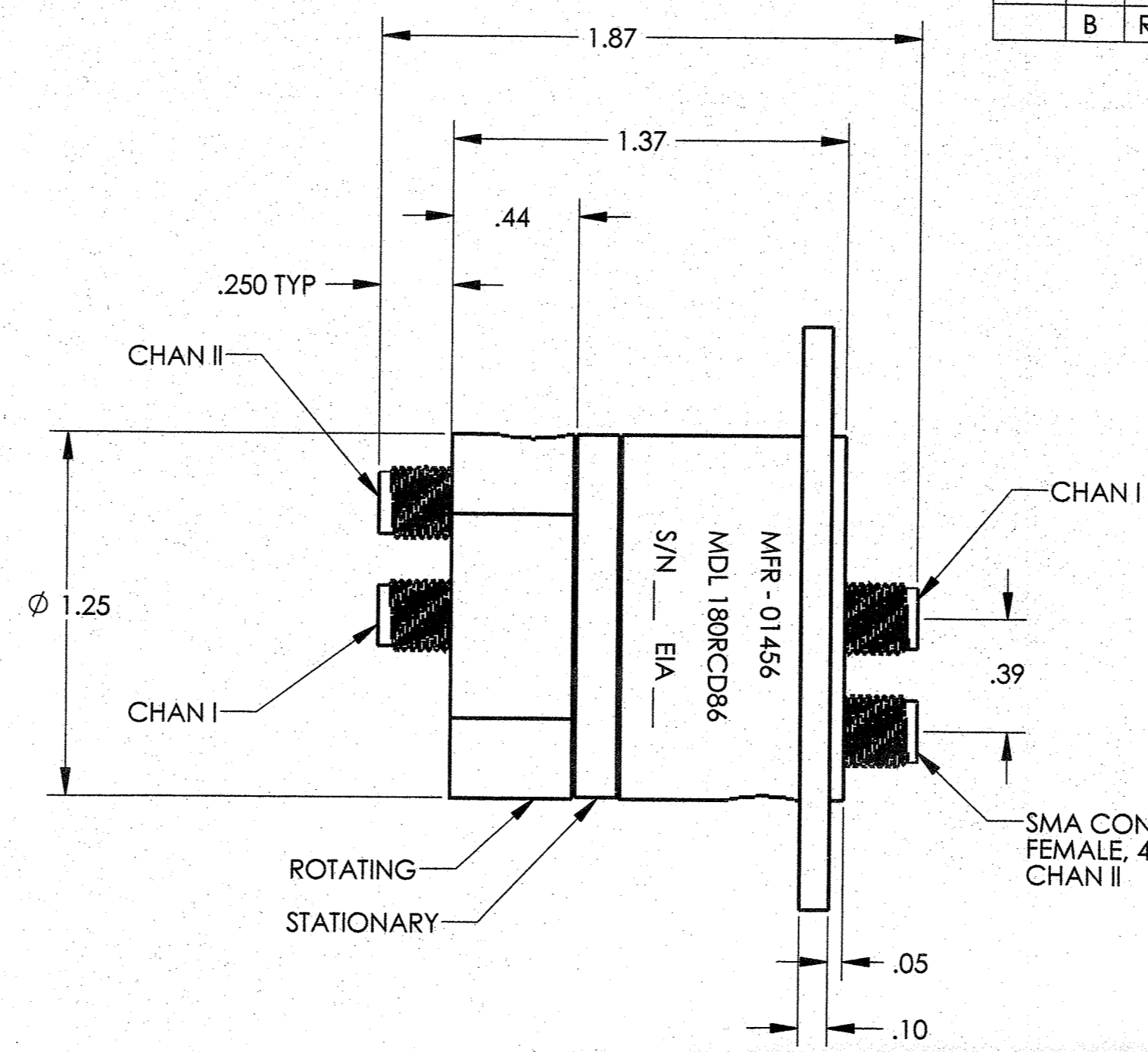
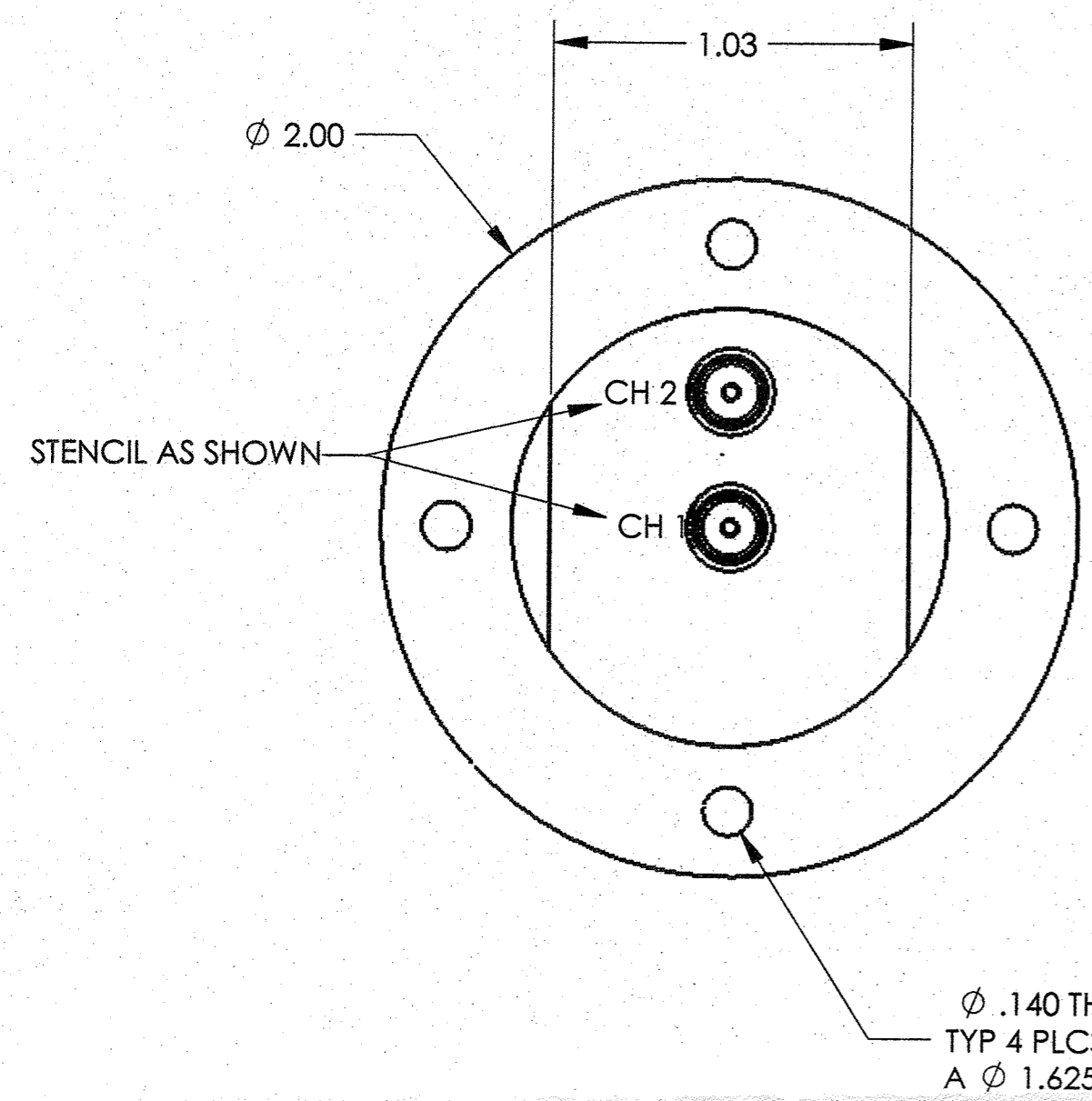


THIS DRAWING AND SPECIFICATIONS ARE THE PROPERTY OF MDL INC. AND SHALL NOT BE REPRODUCED OR COPIED OR USED IN WHOLE OR IN PART AS THE BASIS FOR THE MANUFACTURE OR SALE OF ITEMS WITHOUT WRITTEN PERMISSION.

INTERPRET DRAWING IN ACCORDANCE WITH ANSI Y14.5M-1982

REVISIONS				
ZONE	LTR	DESCRIPTION	DATE	APPROVED
	A	REVISED PER ECN # 17217	6-8-06	FWC
	B	REVISED PER ECN # 16695	11-1-07	FWC

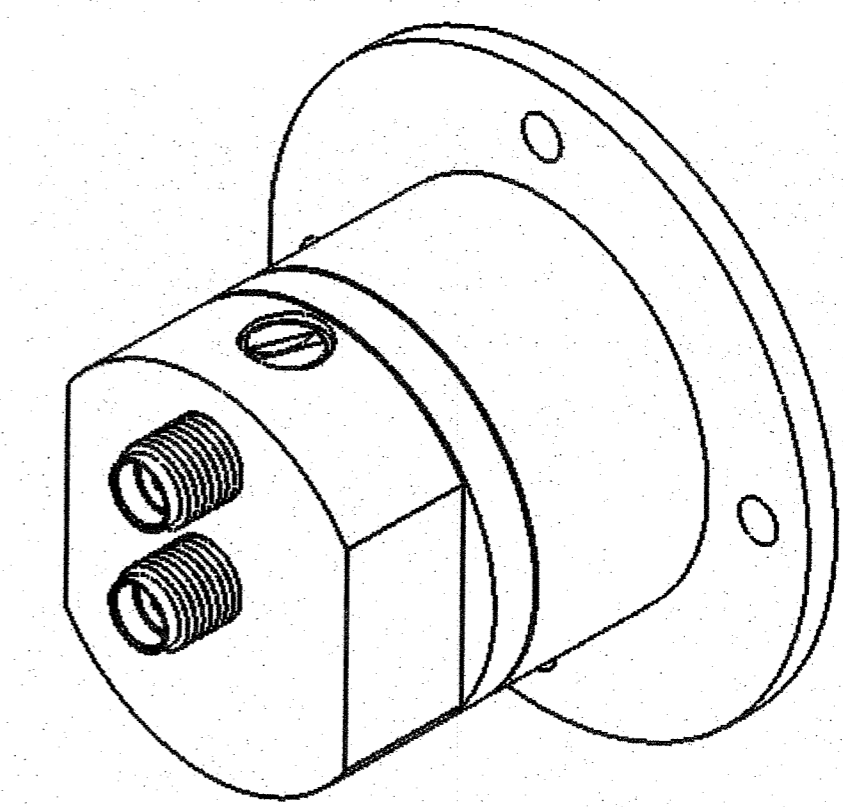


SPECIFICATIONS:

1. ELECTRICAL	CH I	CH II
FREQUENCY	DC TO 18 GHz	DC TO 4.0 GHz
VSWR	1.35 DC - 10 GHz	1.25 DC - 1.5 GHz
WOW (MAX)	1.50 10 - 18 GHz	1.50 1.5 - 4.0 GHz
INSERTION LOSS	1.02 DC - 10 GHz	1.05 DC - 1.5 GHz
ISOLATION	1.02 10 - 18 GHz	1.2 1.5 - 4.0 GHz
POWER	0.3 dB DC - 10 GHz	0.15 dB DC - 1.5 GHz
	0.5 dB 10-18 GHz	0.3 dB 1.5 - 4.0 GHz
	55 dB MIN	
	EQUAL TO CONNECTOR RATING	

2. MECHANICAL

MATERIAL	ALUMINUM
PRESSURE	NONE
STARTING TORQUE	8 IN-OZ MAX
ROTATIONAL SPEED	100 RPM MAX
WEIGHT	3 OZ (APPROX)
LIFE	1 MILLION REVOLUTIONS
FINISH	IRIDITE ALL OVER PER MIL-C-5541. PAINT ALL EXTERNAL SURFACES EXCEPT ALL HOLES AND WHERE NOTED WITH BLUE PAINT PER TT-E-529 COLOR # 25109 OF FED-STD-595 AS SHOWN, PER MIL-STD-130



CAD FILE: 2077636				
GROUP OR PART	NEXT ASSY	USED ON	NEXT ASSY	FINAL ASSY
	APPLICATION		QTY REQ'D	

REQ'D	REQ'D	REQ'D	REQ'D	ITEM OR SYM	DWG SIZE	PART NUMBER	DESCRIPTION	MATERIAL	MAT'L SPEC.	
							LIST OF MATERIAL			
							CAUTION: UNLESS THIS DRAWING BEARS THE SIGNATURE OF TWO AUTHORIZED ENGINEERING REPRESENTATIVES IN THE "APPROVED" BLOCKS IT IS PRELIMINARY AND UNDER NO CIRCUMSTANCES IS TO BE USED FOR MANUFACTURING PURPOSES.			
							UNLESS OTHERWISE SPECIFIED DIMENSIONS ARE IN INCHES TOLERANCES ARE: .XX ± .02 .XXX ± .0005 .XXX ± .005 ANGULAR = ±30' FINISH 63/			
							COMMERCIAL PUBLISHED TOLERANCES SHALL APPLY TO TUBING, BAR, PLATE, ETC. ALL THREADS TO BE CLASS 2A (EXTERNAL), OR 2B (INTERNAL), PLATED PARTS MUST FIT GAGES AND MEET SPECIFIED TOLERANCES AFTER PLATING.			
							DO NOT SCALE DRAWING			
							DWG SIZE	CODE IDENT. NO.	REV.	
							C	01456	B	
							SCALE 2 : 1	WEIGHT	SHEET 1 OF 1	

MDL INC MICROWAVE DEVELOPMENT LABORATORIES
NEEDHAM, MASSACHUSETTS
OUTLINE MODEL 180RCD86
2 CHAN. COAX "SMA"
INLINE ROTARY JOINT