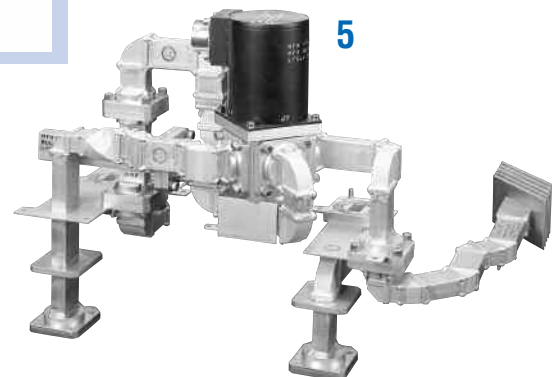
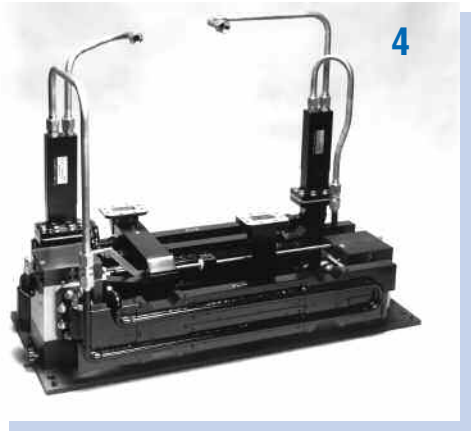
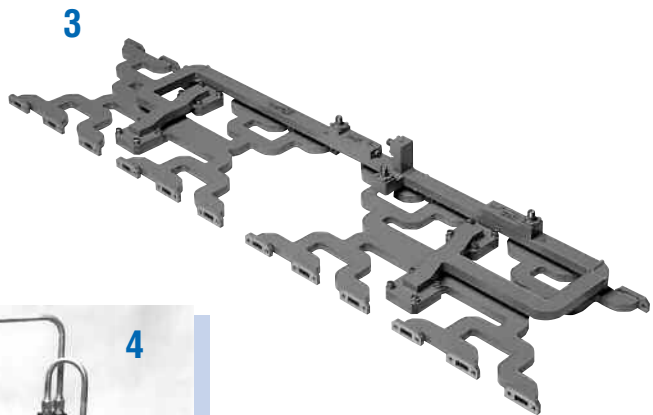
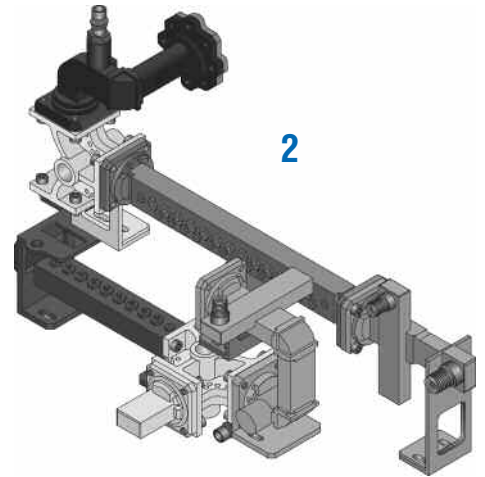
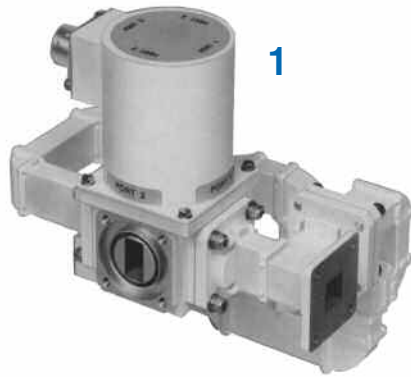
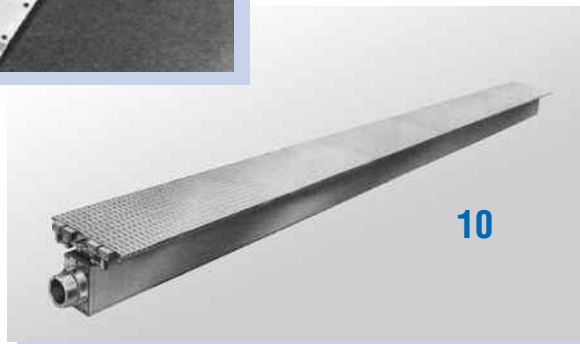
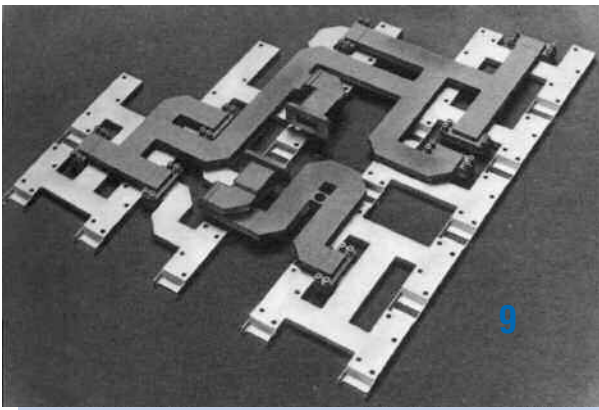
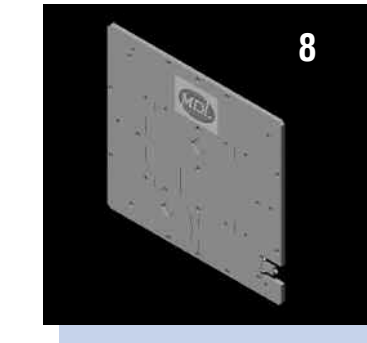
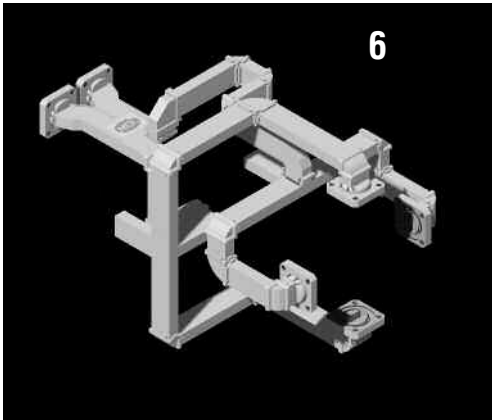


Custom Designs

- 1 Polarizing Networks are custom designed to your requirements. These networks are available in WR28, 42, 51, 62, 75, 90, 112, 137 and 284. Vertical or horizontal linear polarization and right or left hand circular polarization are options along with circular or square outputs.
- 2 Transmit receive integrated front end using MDL circulatory isolator, couplers, filters, adapters and loads
- 3 Reduced height 24 waveguide power divider. Equal phase, unequal power.
- 4 WR137 Filter Tray Assembly.
- 5 WR62 Switching Network.

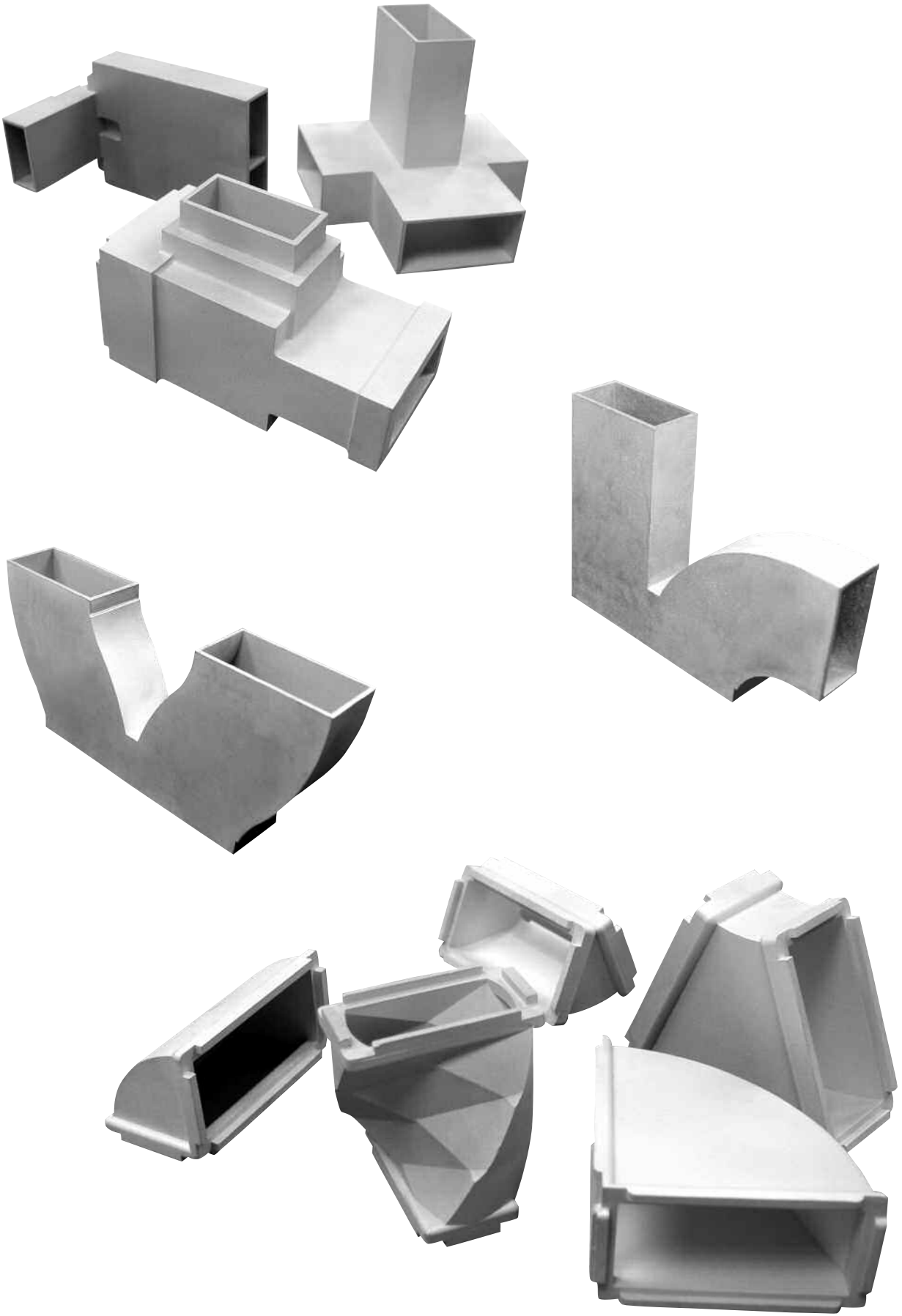


Custom Designs

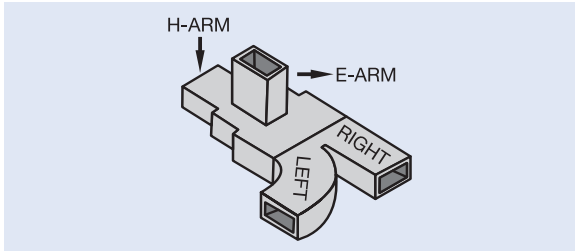


- 6** Basic design of WR42 four port feed uses cast bends, magic tees and hybrid assembly.
- 7** The WR62 assembly is a lightweight monopulse duplexer package that includes a four-port feed comparator with sum, difference, and AFC mixers and a sideband generator.
- 8** Reduced height WR62 power combiner.
- 9** This WR90 reduced height 20-way power machined from solid stock, has a wall thickness of .030 inch.
- 10** WR62 Array Assembly consisting of 6 panels 12" x 24" Flat Within .10 Inch.

MDL's special capabilities in designing and manufacturing waveguide components and subassemblies make possible unique packages that meet the most exacting specifications.



Ordering Information*



Example: 90TH52-1-A-20P

MODEL NUMBER FLANGE MATERIAL PRESSURE

90TH52 - 1 - A - 20P

Flange Termination - 2 Flanges

Flange	Port 1	Port 2
1	Cover	Cover
2	Cover	Choke
3	Choke	Cover
4	Choke	Choke

Pressurized for 20PSIG.

Number indicates desired pressure

Material and Finish

Code	Material	Finish
A	Aluminum Alloy D712 in accordance with ASTM B-26	No Finish
B	Copper Alloy C82500 in accordance with Federal spec QQ-C-390	No Finish
C*	Aluminum Alloy	Chromated
D*	Copper Alloy	Silver Plated
E*	Aluminum Alloy	Chromated and Painted Blue
F*	Copper Alloy	Silver Plated and Painted Blue
S	Silicon Bronze Alloy S87200 in accordance with Federal spec QQC-390	No Finish

For non-pressurized, omit numerals and "P".

*Combinations available only where no further solder is required.

* MDL reserves the right to discontinue or change specifications without notice.