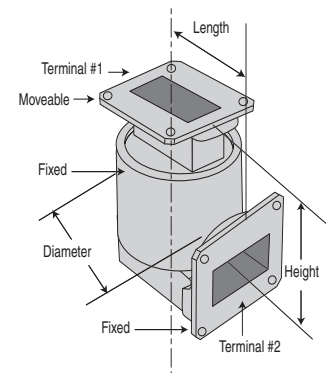


# "L" Style Rotary Joints

"L" Style, one 90° arm fixed to the housing-one inline arm is free to rotate.

BAND	FREQ. RANGE GHz	MDL MODEL	VSWR	WOW MAX	INSERTION LOSS MAX	PEAK POWER AT				CW	HOUSING DIA.	HGT	LTH		
						0	15	30	45						
						PRESSURE (PSIG)									
WR22	43.5 - 45.5	22RL16	1.50	1.05	1.00						1.20	2.09	1.08		
WR28	34.5 - 35.5	28RL16	1.30	1.10	0.30		2			350 W	1.20	2.09	1.08		
WR34	27.5 - 30.0	34RL16	1.20	1.02	0.20	20	50	80	-		1.99	2.38	2.25		
WR42	20.0 - 20.3	42RL16	1.20	1.02	0.20					600 W	1.25	2.41	1.38		
WR62	13.5 - 14.5	62RL106	1.15	1.02	0.10	30	65	120	-		1.81	2.50	1.38		
	13.5 - 14.5	62RL116	1.20	1.02	0.10	75	165	300	-		1.81	2.50	.38		
	14.0 - 15.0	62RL126	1.10	1.02	0.10	30	65	120	-		1.81	2.50	1.38		
	14.0 - 15.0	62RL136	1.15	1.02	0.10	75	165	300	-		1.81	2.50	1.38		
	14.5 - 15.5	62RL146	1.10	1.02	0.10	30	65	120	-		1.81	2.50	1.38		
	14.5 - 15.5	62RL156	1.15	1.02	0.10	75	165	300	-		1.81	2.50	1.38		
	15.0 - 16.0	62RL166	1.10	1.02	0.10	30	65	120	-		1.81	2.50	1.38		
	15.0 - 16.0	62RL176	1.15	1.02	0.10	75	165	300	-		1.81	2.50	1.38		
	15.5 - 16.5	62RL186	1.10	1.02	0.10	30	65	120	-		1.81	2.50	1.38		
	15.5 - 16.5	62RL196	1.15	1.02	0.10	75	165	300	-		1.81	2.50	1.38		
	16.0 - 17.0	62RL206	1.10	1.02	0.10	30	65	120	-		1.81	2.50	1.38		
	16.0 - 17.0	62RL216	1.15	1.02	0.10	75	165	300	-		1.81	2.50	1.38		
	13.5 - 17.0	62RL226	1.35	1.04	0.20	30	65	120	-		1.81	2.50	1.38		
WR75	10.75-14.5	75RL16	1.20	1.05	0.20					600 W					
	12.2 - 12.75	75RL26	1.20	1.05	0.20					600 W	2.12	3.00	2.00		
	14.0 - 14.5	75RL36	1.20	1.05	0.20					600 W	1.88	3.25	2.00		
	14.0 - 14.5	75RL46	1.15	1.02	0.10			30		1 KW	1.75	3.55	4.00		
WR90	8.2 - 9.0	90RL256	1.15	1.02	0.10	175	350	675	-		1.81	2.64	1.38		
	8.2 - 9.0	90RL266	1.20	1.02	0.10	250	500	950	-		1.81	2.64	1.38		
	8.5 - 9.6	90RL276	1.10	1.02	0.10	175	350	675	-		1.81	2.64	1.38		
	8.5 - 9.6	90RL286	1.15	1.02	0.10	250	500	950	-		1.81	2.64	1.38		
	9.0 - 10.0	90RL296	1.10	1.02	0.10	175	350	675	-		1.81	2.64	1.38		
	9.0 - 10.0	90RL306	1.15	1.02	0.10	250	500	950	-		1.81	2.64	1.38		
	9.5 - 10.5	90RL316	1.15	1.02	0.10	175	350	675	-		1.81	2.64	1.38		
	10.0 - 11.0	90RL326	1.15	1.02	0.10	175	350	675	-		1.81	2.64	1.38		
	8.2 - 10.0	90RL336	1.25	1.03	0.15	175	350	675	-		1.81	2.64	1.38		
	8.2 - 11.0	90RL346	1.35	1.03	0.20	175	350	675	-		1.81	2.64	1.38		
WR112	7.5 - 8.5	112RL146	1.10	1.02	0.10	200	400	775	-		2.25	3.20	2.00		
	7.5 - 8.5	112RL156	1.15	1.02	0.10	275	550	1050	-		2.25	3.20	2.00		
	8.0 - 9.0	112RL166	1.10	1.02	0.10	200	400	775	-		2.25	3.20	2.00		
	8.0 - 9.0	112RL176	1.15	1.02	0.10	275	550	1050	-		2.25	3.20	2.00		
	8.5 - 9.6	112RL186	1.10	1.02	0.10	200	400	775	-		2.25	3.20	2.00		
	8.5 - 9.6	112RL196	1.15	1.02	0.10	275	550	1050	-		2.25	3.20	2.00		
	9.0 - 9.9	112RL206	1.15	1.03	0.15	200	400	775	-		2.25	3.20	2.00		



# "L" Style Rotary Joints

BAND	FREQ. RANGE GHz	MDL MODEL	VSWR	WOW MAX	INSERTION LOSS MAX	PEAK POWER AT				CW	HOUSING DIA.	HGT	LTH		
						0	15	30	45						
						PRESSURE (PSIG)									
<b>WR137</b>	5.8 - 6.8	137RL26	1.10	1.02	0.10	350	700	1350	1925		2.62	4.12	3.00		
	6.5 - 7.5	137RL36	1.15	1.02	0.10	350	700	1350	1925		2.62	4.12	3.00		
	5.8 - 7.8	137RL46	1.30	1.03	0.15	350	600	1140	1650		2.62	4.12	3.00		
	7.9 - 8.4	137RL56	1.20	1.05	0.15					1.75 KW	2.25	4.12	3.00		
<b>WR159</b>	5.8 - 6.4	159RL26	1.15	1.02	0.10	400	800	1525	2200		3.00	4.83	3.25		
<b>WR187</b>	5.4 - 5.9	187RL66	1.10	1.02	0.10	450	900	1725	2500		3.00	5.33	3.44		
	5.25 - 6.0	187RL86	1.20	1.03	0.10	450	900	1725	2500		3.00	5.33	3.44		
	5.0 - 5.85	187RL96	1.20	1.03	0.10	450	900	1725	2500		3.00	5.33	3.44		
	4.9 - 5.1	187RL106	1.15	1.02	0.10			2000		3 KW	3.02	5.33	3.44		
<b>WR229</b>	3.6 - 4.3	229RL26	1.15	1.02	0.10	550	1100	2100	3025		3.44	6.24	5.00		
<b>WR284</b>	2.7 - 3.2	284RL26	1.15	1.02	0.10	700	1400	2650	3850		4.63	8.63	6.25		
	2.7 - 3.2	284RL36	1.15	1.02	0.10	700	1400	2650	3850		4.63	9.25	6.25		
	3.0 - 3.5	284RL46	1.25	1.02	0.10		1300			4.5 KW	4.63	8.63	6.25		

