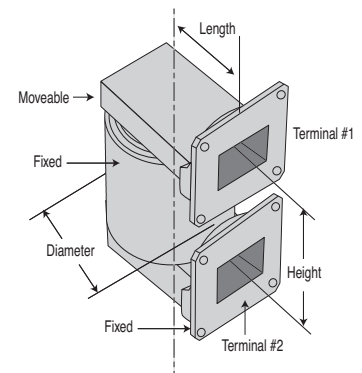


"U" Style Rotary Joints

"U" Style, two arms are 90° to the rotating axis, one is fixed to the housing-one free to rotate.

3

BAND	FREQ. RANGE GHz	MDL MODEL	VSWR	WOW MAX	INSERTION LOSS MAX	PEAK POWER AT				CW	HOUSING DIA.	HGT	LTH		
						0	15	30	45						
						PRESSURE (PSIG)									
WR-22	43.5 - 45.5	22RU16	1.50	1.05	1.00						2.00	1.34	2.25		
WR-28	32.2 - 33.0	28RU16	1.15	1.05	0.25	20	50	80	-		2.00	1.335	2.250		
	34.5 - 35.5	28RU26	1.15	1.05	0.25	20	50	80	-		2.00	1.235	2.250		
	27.5 - 30.0	28RU36	1.20	1.05	0.20	20	50	80	-		1.99	1.23	2.25		
	34.5 - 35.5	28RU46	1.40	1.10	0.50				2	350 W	1.63				
WR-34	27.5 - 30.0	34RU16	1.20	1.02	0.20					600 W	1.99	1.24	2.25		
	23.0 - 28.0	34RU26	1.20	1.02	0.20					300 W	1.62	1.24	2.25		
	29.2 - 29.6	34RU36	1.20	1.05	0.40					300 W	1.62	1.24	2.25		
WR-42	18.1 - 20.2	42RU16	1.20	1.03	0.20	20	50	80	-		1.25	1.82	1.38		
WR-62	13.5 - 14.5	62RU136	1.15	1.03	0.10	30	65	120	-		1.81	2.00	1.38		
	13.5 - 14.5	62RU146	1.20	1.03	0.10	100	200	380	-		1.81	2.00	1.38		
	14.0 - 15.0	62RU156	1.10	1.02	0.10	30	65	120	-		1.81	2.00	1.38		
	14.0 - 15.0	62RU166	1.15	1.02	0.10	100	200	380	-		1.81	2.00	1.38		
	14.5 - 15.5	62RU176	1.10	1.02	0.10	30	65	120	-		1.81	2.00	1.38		
	14.5 - 15.5	62RU186	1.15	1.02	0.10	100	200	380	-		1.81	2.00	1.38		
	15.0 - 16.0	62RU196	1.10	1.02	0.10	30	65	120	-		1.81	2.00	1.38		
	15.0 - 16.0	62RU206	1.15	1.02	0.10	100	200	380	-		1.81	2.00	1.38		
	15.5 - 16.5	62RU216	1.10	1.02	0.10	30	65	120	-		1.81	2.00	1.38		
	15.5 - 16.5	62RU226	1.15	1.02	0.10	100	200	380	-		1.81	2.00	1.38		
	16.0 - 17.0	62RU236	1.10	1.02	0.10	30	65	120	-		1.81	2.00	1.38		
	16.0 - 17.0	62RU246	1.15	1.02	0.10	100	200	380	-		1.81	2.00	1.38		
	13.5 - 17.0	62RU256	1.35	1.03	0.15	30	65	120	-		1.81	2.00	1.38		
	17.3 - 18.4	62RU266	1.20	1.02	0.25					1.1 KW	1.63	1.75	1.75		
WR-75	10.0 - 15.0	75RU16	1.30	1.02	0.50						1.81	1.91	2.00		
	10.7 - 12.75	75RU26	1.20	1.02	0.20					1.1 KW	2.10	1.97	2.00		
	14.0 - 14.5	75RU36	1.10	1.02	0.10			30		1 KW	1.50	3.59	1.03		
WR-90	8.2 - 9.0	90RU226	1.15	1.02	0.10	175	350	665	-		1.81	2.00	1.38		
	8.2 - 9.0	90RU236	1.20	1.02	0.10	250	500	950	-		1.81	2.00	1.38		
	8.5 - 9.6	90RU246	1.10	1.02	0.10	175	350	665	-		1.81	2.00	1.38		
	8.5 - 9.6	90RU256	1.15	1.02	0.10	250	500	950	-		1.81	2.00	1.38		
	9.0 - 10.0	90RU266	1.10	1.02	0.10	175	350	665	-		1.81	2.00	1.38		
	9.0 - 10.0	90RU276	1.15	1.02	0.10	250	500	950	-		1.81	2.00	1.38		
	9.5 - 10.5	90RU286	1.15	1.02	0.10	175	350	665	-		1.81	2.00	1.38		
	10.0 - 11.0	90RU296	1.15	1.02	1.15	175	350	665	-		1.81	2.00	1.38		
	8.2 - 11.0	90RU316	1.35	1.03	0.15	175	350	665	-		1.81	2.00	1.38		
	8.4 - 9.0	90RU326	1.10	1.05	0.20	15				1 KW		1.75	1.38		
WR-102	9.8 - 10.5	102RU16	1.15	1.03	0.20			62		4.6 KW		5.19	4.00		
	9.95 - 10.05	102RU26	1.15	1.02	0.10			5		350 W	1.81	2.00	3.62		



"U" Style Rotary Joints

BAND	FREQ. RANGE GHz	MDL MODEL	VSWR	WOW MAX	INSERTION LOSS MAX	PEAK POWER AT				CW	HOUSING DIA.	HGT	LTH		
						0	15	30	45						
						PRESSURE (PSIG)									
WR-112	7.5 - 8.5	112RU186	1.10	1.02	0.10	225	450	850	-		2.25	2.39	2.00		
	7.5 - 8.5	112RU196	1.10	1.02	0.10	300	600	1150	-		2.25	2.39	2.00		
	8.0 - 9.0	112RU206	1.10	1.02	0.10	225	450	850	-		2.25	2.39	2.00		
	8.0 - 9.0	112RU216	1.10	1.02	0.10	300	600	1150	-		2.25	2.39	2.00		
	8.5 - 9.6	112RU226	1.10	1.02	0.10	225	450	850	-		2.25	2.39	2.00		
	8.5 - 9.6	112RU236	1.10	1.02	0.10	300	600	1150	-		2.25	2.39	2.00		
	9.0 - 9.9	112RU246	1.15	1.03	0.10	225	450	850	-		2.25	2.39	2.00		
	9.0 - 9.9	112RU256	1.15	1.03	0.10	300	600	1150	-		2.25	2.39	2.00		
	7.5 - 9.6	112RU266	1.35	1.03	0.15	225	450	850	-		2.25	2.39	2.00		
	9.7 - 10.3	112RU276	1.15	1.05	0.15					6 KW	3.05	2.94	4.94		
9.95 - 10.5	112RU286	1.15	1.03	0.25					6 KW			3.50			
WR-137	5.8 - 6.8	137RU136	1.10	1.02	0.10	400	800	1525	2200		2.62	3.25	3.00		
	6.5 - 7.5	137RU146	1.20	1.02	0.10	400	800	1525	2200		2.62	3.25	3.00		
	5.8 - 7.8	137RU156	1.35	1.03	0.15	400	800	1525	2200		2.62	3.25	3.00		
	5.8 - 6.4	137RU166	1.20	1.02	0.20		800				2.62	3.25	3.00		
WR-159	5.8 - 6.4	159RU26	1.15	1.02	0.10	450	900	1725	2500		3.00	4.00	3.25		
WR-187	5.4 - 5.9	187RU166	1.10	1.02	0.10	650	1300	2475	3575		3.00	4.00	3.44		
	5.25 - 6.0	187RU176	1.35	1.03	0.15	650	1300	2475	3575		3.00	4.00	3.44		
	4.5 - 5.85	187RU186	1.25	1.03	0.15	650	1300	2475	3575		3.00	4.00	3.44		
WR-229	3.6 - 4.3	229RU26	1.15	1.02	0.10	800	1600	3050	4400		3.44	5.00	5.00		
WR-284	2.7 - 3.2	284RU36	1.15	1.02	0.10	1000	2000	3800	5500		4.63	8.00	6.25		

