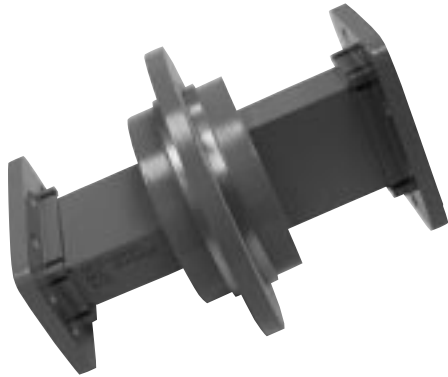


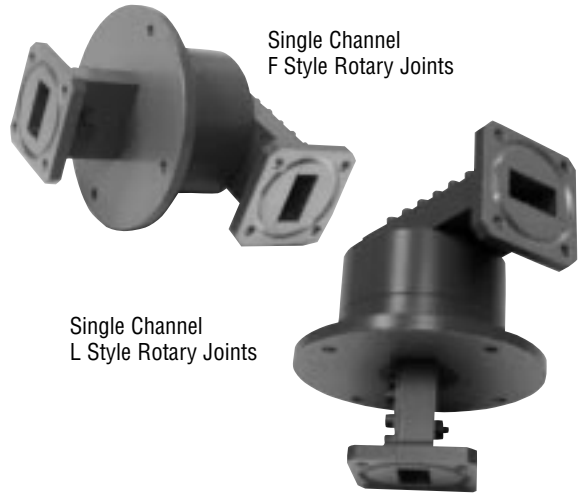
# Custom

## Rotary Joints, Waveguide & Coaxial, Single & Multi-channel

---

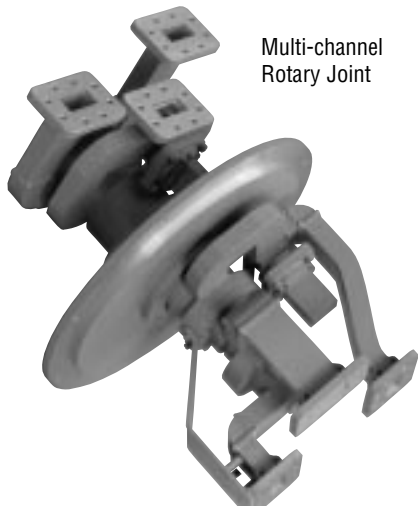


Single Channel  
I Style Rotary Joint

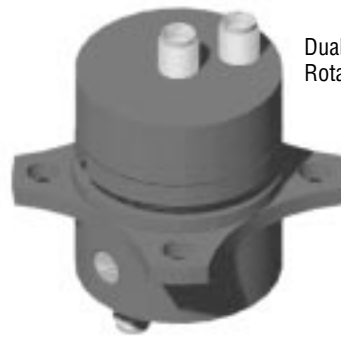


Single Channel  
F Style Rotary Joints

Single Channel  
L Style Rotary Joints



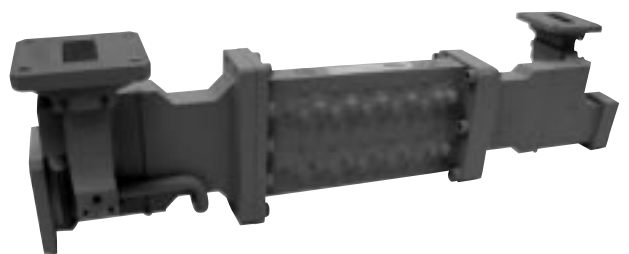
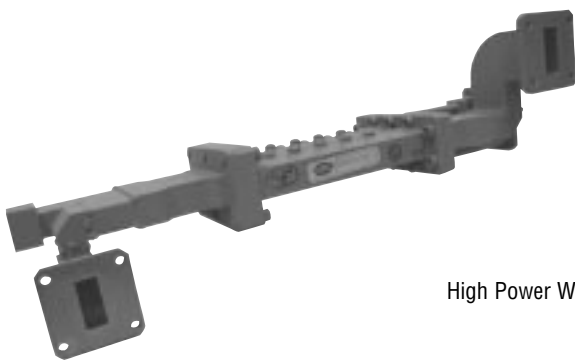
Multi-channel  
Rotary Joint



Dual Channel Coax  
Rotary Joint

## Microwave Filters

---



High Power WR112 to WR90 Custom Diplexer