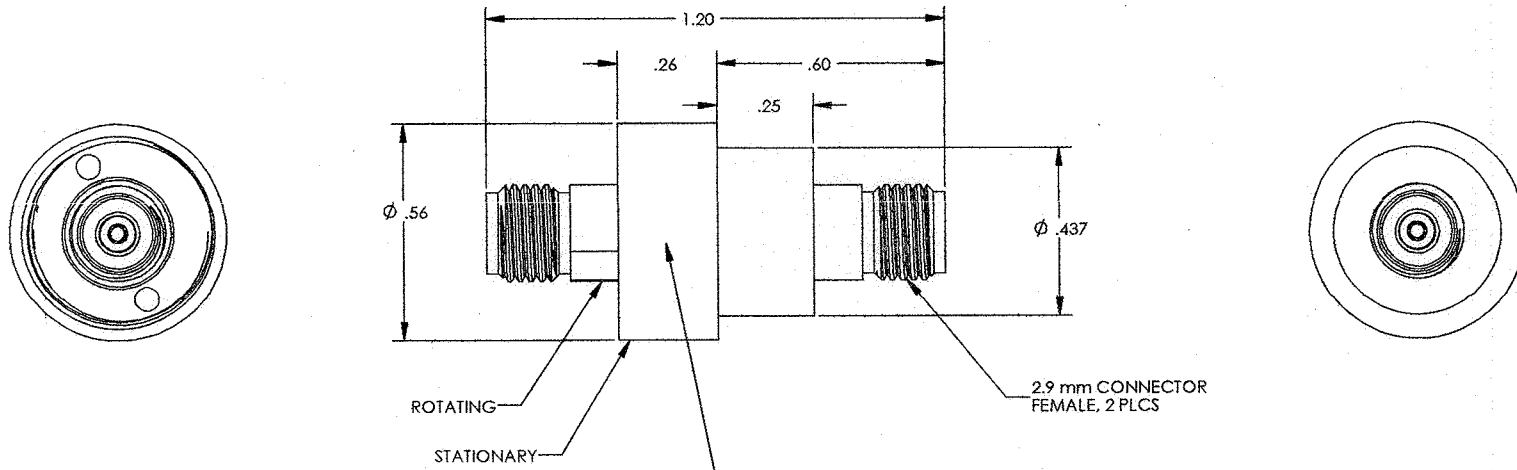


THIS DRAWING AND SPECIFICATIONS ARE THE PROPERTY OF MDL INC. AND SHALL NOT BE REPRODUCED OR COPIED OR USED IN WHOLE OR IN PART AS THE BASIS FOR THE MANUFACTURE OR SALE OF ITEMS WITHOUT WRITTEN PERMISSION.

INTERPRET DRAWING IN ACCORDANCE WITH ANSI Y14.5M-1982

ZONE		LTR		DESCRIPTION	DATE	APPROVED
	A			REVISED PER ECN # 20542	4-19-12	SIGNATURE ON FILE
	B			REVISED PER ECN # 20587	6-27-12	SIGNATURE ON FILE



MDL MODEL 400RS16
MFR 01456

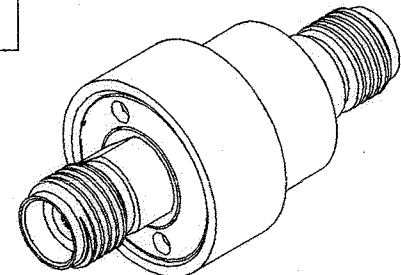
SPECIFICATIONS:

ELECTRICAL

FREQUENCY	DC - 40 GHz	
VSWR	DC - 10 GHz	1.20 : 1 MAX
	10 - 26 GHz	1.35 : 1 MAX
	26 - 40 GHz	1.75 : 1 MAX
WOW	1.05 MAX	
INSERTION LOSS	DC - 10 GHz	0.2 dB MAX
	10 - 26 GHz	0.4 dB MAX
	26 - 40 GHz	0.6 dB MAX
PEAK POWER	EQUAL TO CONNECTOR RATING	

MECHANICAL

MATERIAL	COPPER ALLOY
PRESSURE	NONE
STATING TORQUE	1.0 OZ-IN MAX
ROTATIONAL SPEED	500 RPM
WEIGHT	<.6 OZ
FINISH	GOLD PLATE
IDENTIFICATION	MODEL 400RS16



CAD FILE: 2078131				
GROUP OR PART	NEXT ASSY	USED ON	NEXT ASSY	FINAL ASSY
	APPLICATION		QTY REQ'D	

REQ'D	REQ'D	REQ'D	REQ'D	ITEM OR SYM	DWG SIZE	PART NUMBER	DESCRIPTION	MATERIAL	MAT'L SPEC.
						LIST OF MATERIAL			
CAUTION: UNLESS THE DRAWING BEARS THE SIGNATURE OF TWO AUTHORIZED ENGINEERING REPRESENTATIVES IN THE "APPROVED" BLOCKS IT IS PRELIMINARY AND UNDER NO CIRCUMSTANCES IS TO BE USED FOR MANUFACTURING PURPOSES. UNLESS OTHERWISE SPECIFIED DIMENSIONS ARE IN INCHES TOLERANCES ARE: XX ± .02 XXXX ± .0005 XXX ± .005 ANGULAR = ±30' FINISH 63 ✓ COMMERCIAL PUBLISHED TOLERANCES SHALL APPLY TO TUBING, BAR, PLATE, ETC. ALL THREADS TO BE CLASS 2A (EXTERNAL) OR 2B (INTERNAL). PLATED PARTS MUST FIT GAGES AND MEET SPECIFIED TOLERANCES AFTER PLATING.						DRAWN BY F. COUNTER DATE 6-23-09	MDL INC MICROWAVE DEVELOPMENT LABORATORIES NEEDHAM, MASSACHUSETTS OUTLINE 2.9mm COAX ROTARY JOINT MODEL 400RS16		
						CHECKED BY R. WILSON DATE 6-23-09			
						ELECTRICAL EDGE F. COUNTER DATE 6-23-09			
						DESIGN REVIEW APPROVAL OTHER ACTIVITY APPROVAL			
DO NOT SCALE DRAWING						DWG SIZE	CODE IDENT. NO.		REV.
						C	01456	20-78131	B
						SCALE 4 : 1	WEIGHT	SHEET 1 OF 1	